

# 2J9643JBW-B12JW-B10BW (DATASHEET)

|                    |                     |
|--------------------|---------------------|
| <b>Type</b>        | Marine DAB antenna  |
| <b>Frequencies</b> | DAB (150 - 240 MHz) |
| <b>Mounting</b>    | Screw Mount         |
| <b>Revision</b>    | 00                  |



# 1. SPECIFICATION

## 1.1. Electrical Specifications

### Radio (Cable 1)

|                |                     |
|----------------|---------------------|
| Frequencies    | DAB (150 - 240 MHz) |
| Impedance      | 50 Ohms             |
| Polarization   | Vertical            |
| LNA Gain       | 22 dB Typ.          |
| VSWR           | <2.5:1              |
| Voltage supply | 5.5 V to 24 V       |
| Current        | 13 mA               |
| Power (max.)   | 312 mA              |

## 1.2. General Specifications

|                       |                |
|-----------------------|----------------|
| Operating temperature | -40°C to +85°C |
|-----------------------|----------------|

## 1.3. Connection Specifications

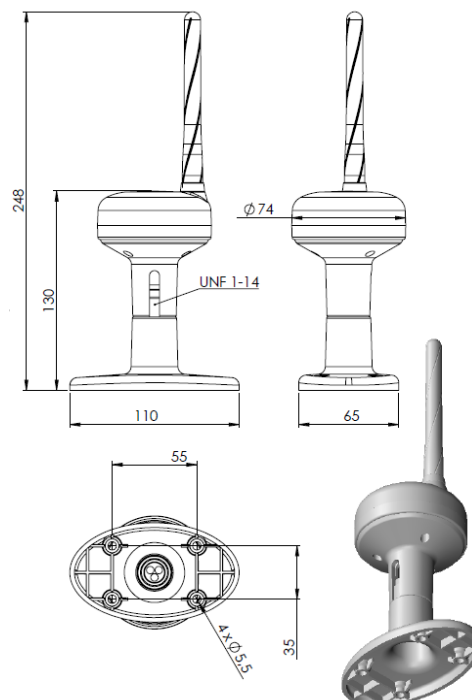
Connector type: SMA  
 Cable: RG58  
 Cable length: 1000 cm

For different cable length and connector type ask our sales team.

## 1.4. Mechanical Specifications and Dimensions

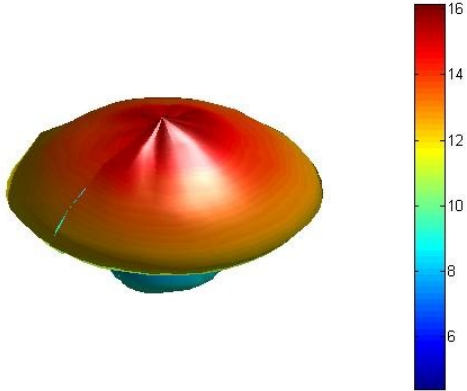
### 1.4.1. Any Surface

Material: ASA  
 Max. dimensions: 248mm x 110mm x 74mm (H x L x W)  
 Weight: 170 g 'weight counted with cable above'  
 Colour: White (for different colours please ask our sales team)

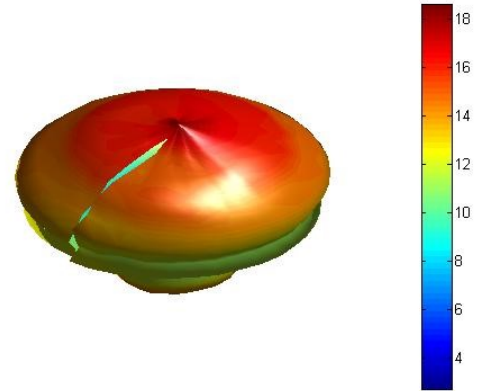


## 2. MEASUREMENT

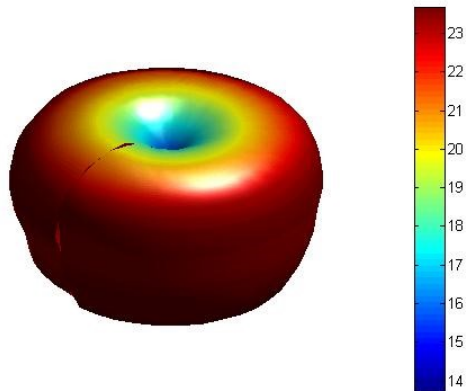
170MHz  
 Freq = 0.1705GHz Az= 45 EL= 45



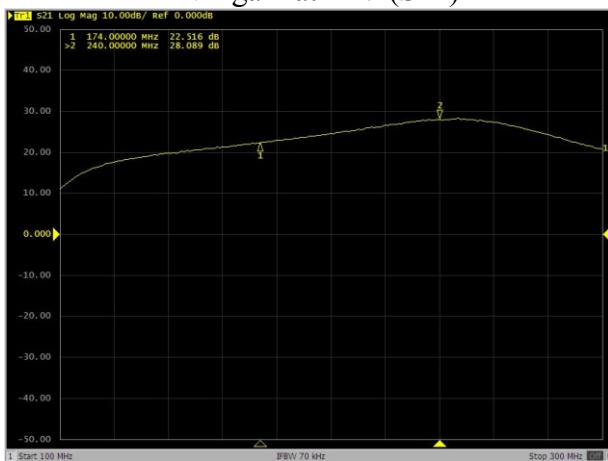
200MHz  
 Freq = 0.1994GHz Az= 45 EL= 45



240MHz  
 Freq = 0.2402GHz Az= 45 EL= 45



LNA gain at 12V (S21)



VSWR (S22)

