

# 2J1015

## (DATSHEET)

<b>Type</b>	ISM antenna
<b>Frequencies</b>	ISM (868 MHz)
<b>Mounting</b>	Metal Surface Body Mount
<b>Revision</b>	00



# 1. SPECIFICATION

## 1.1. Electrical Specifications

Frequencies	ISM (868 MHz)
Impedance	50 Ohms
Polarization	Vertical
VSWR	<2:1
Gain	0 dBi
Power handling	25W
Operating temperature	-40°C to +85°C

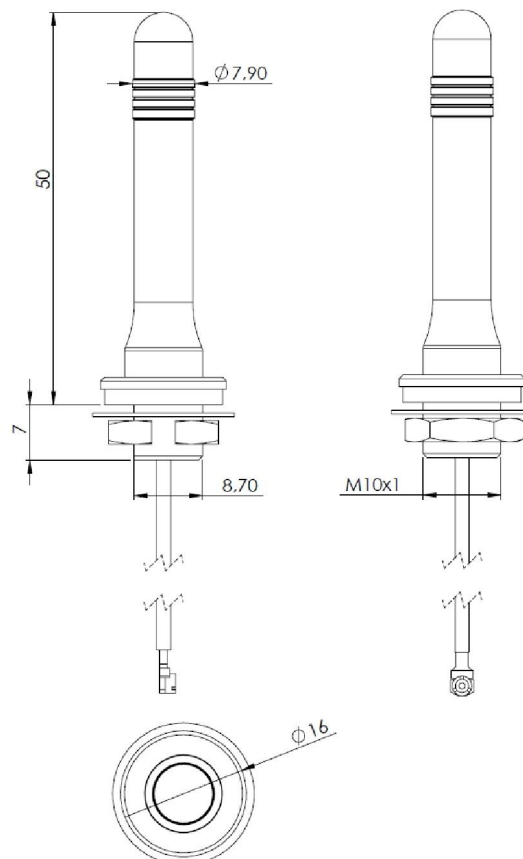
## 1.2. Connection Specifications

Connector type: U.FI  
 Cable: RG178  
 Min. cable length: 30 cm

For different cable length and connector type ask our sales team.

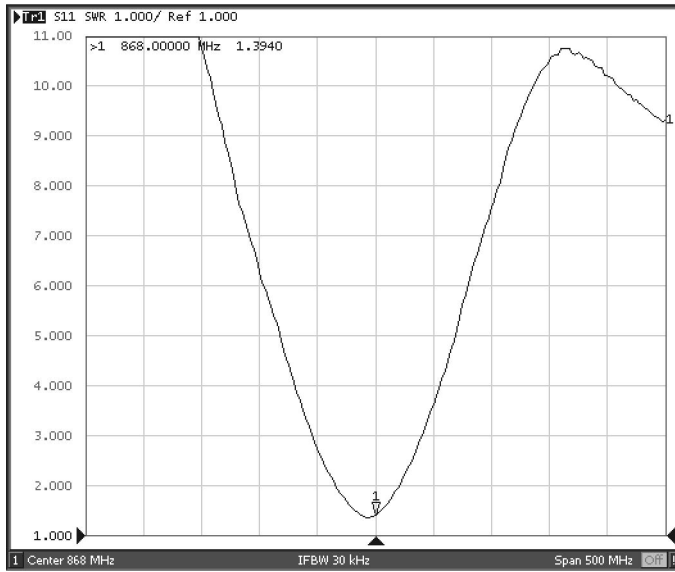
## 1.3. Mechanical Specifications and Dimensions

Material: Lid: TPE / Base: Brass  
 Max. dimensions: 16mm x 50mm (D x H)  
 Weight: 21.2 g 'weight counted with connection above'  
 Colour: Black (for different colours please ask our sales team)  
 Cable retention force: > 90 N

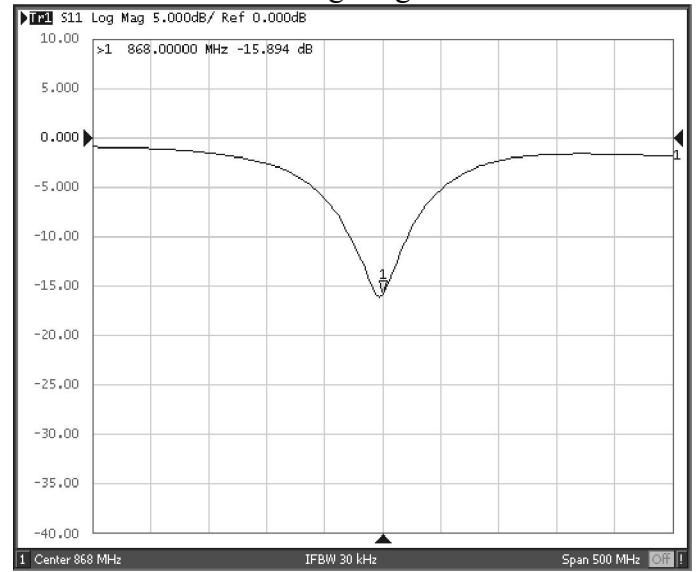


## 2. MEASUREMENT

VSWR



Log Mag



Tested with 30cm cable on groundplane 20 x 20 cm.

Tested with 30cm cable on groundplane 20 x 20 cm.

## 3. PICTURES

