



2J200GP 2J200GPW (DATASHEET)

Type	Wall mount omnidirectional antenna
Frequencies	AMPS (850 MHz) GSM (900 MHz) DCS (1800 MHz) PCS (1900 MHz) 3G (UMTS 2.1 GHz) WIFI / BLUETOOTH (2.4 GHz) 4G/LTE (791-960/1710-2690 MHz)
Mounting	Wall Mount
Revision	00



P. Tipul



1. PRODUCT SELECTOR

2J200GP Standard black version
2J200GPW White version

2. SPECIFICATION

2.1. *Electrical Specifications*

Mobile (Cable 1)

Frequencies	AMPS (850 MHz) GSM (900 MHz) DCS (1800 MHz) PCS (1900 MHz) 3G (UMTS 2.1 GHz) WIFI / BLUETOOTH (2.4 GHz) 4G/LTE (791-960/1710-2690 MHz)
Impedance	50 Ohms
Polarization	Vertical
Gain	2.2 dBi Max
VSWR*	<4:1
Power handling	100W

*Stated when measured with 3m of RG58

2.2. *General Specifications*

Operating temperature	-40°C to +85°C
-----------------------	----------------

2.3. *Connection Specifications*

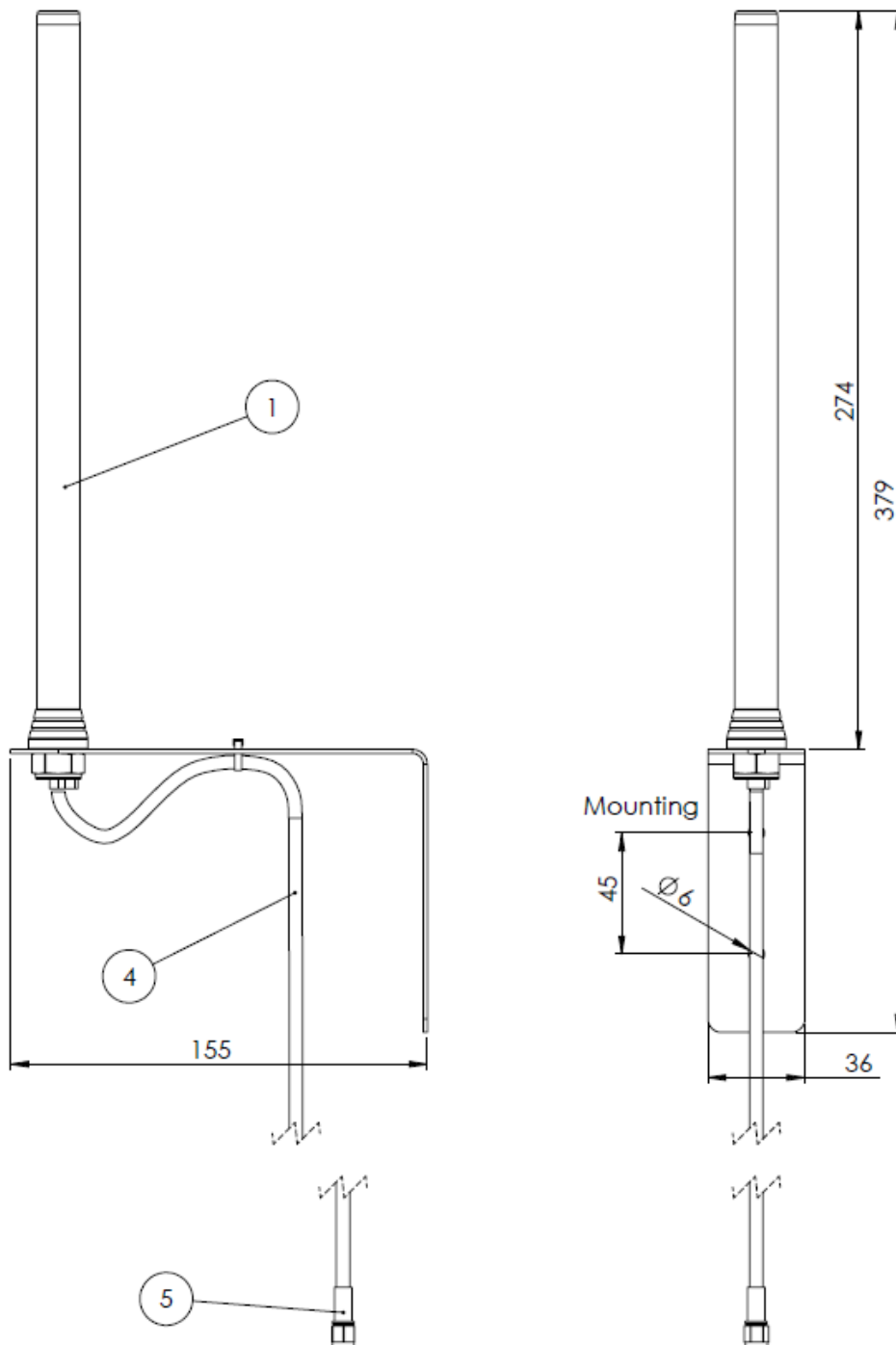
Connector type: FME
Cable: RG58
Cable length: 300 cm

For different cable length and connector type ask our sales team.

2.4.

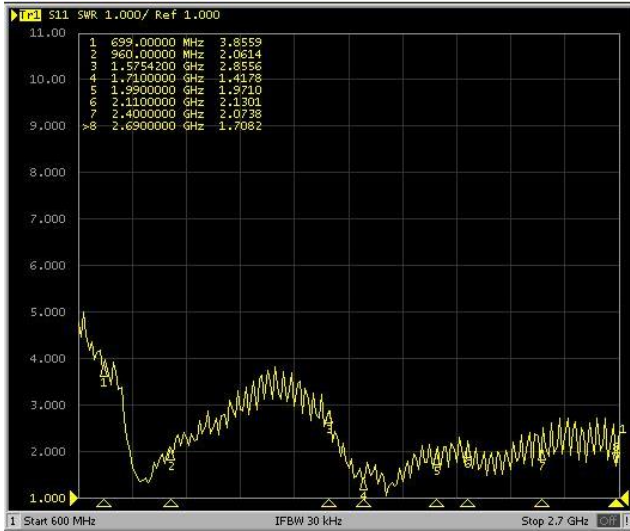
2.5. Mechanical Specifications and Dimensions

Material: Tube: ABS / Base: Brass / Bracket: Steel
Max. dimensions: 379 mm x 155 mm x 36 mm (H x L x W)
Colour: Black (for different colours please ask our sales team)



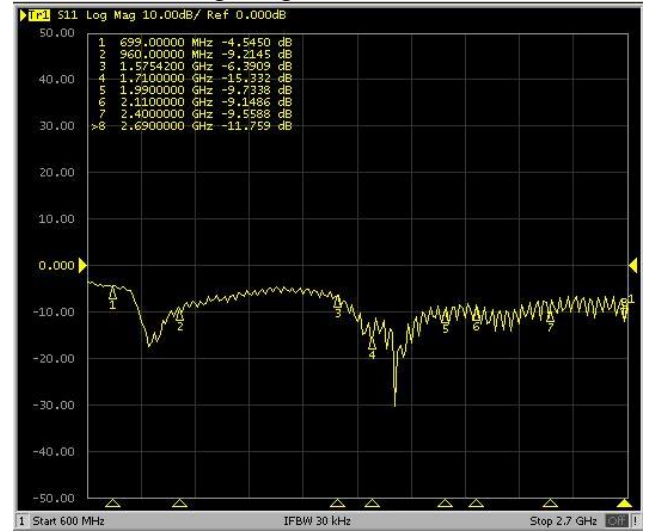
3. MEASUREMENT

VSWR for LTE band

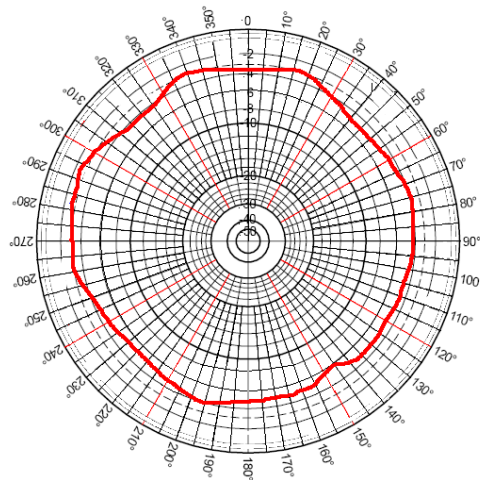


Tested with 3m of RG58

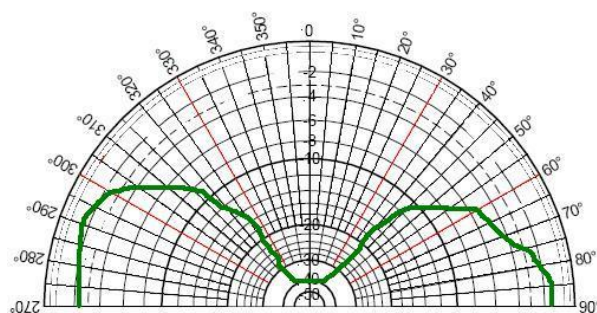
Log Mag for LTE band



Tested with 3m of RG58



Azimuthal Pattern (Z,Y or H-Plane)



Elevation Pattern (X,Y or E-Plane)

4. IMAGES

