

2JSPL01

(DATASHEET)

Type	FM DAB SPLITTER
Frequencies	FM (87,5 - 108 MHz) DAB (150 - 240 MHz)
Mounting	Wall Mount Patch Mount
Revision	00



1. SPECIFICATION

1.1. Electrical Specifications

DAB Output

Frequencies	DAB (150 - 240 MHz)
Impedance	50 Ohms
Polarization	Linear
LNA Gain	27dBi max.
Power handling	50W

FM Output

Frequencies	FM (87,5 - 108 MHz)
Impedance	50 Ohms
Polarization	Linear
LNA Gain	27dBi max.
Power handling	50W

1.2. General Specifications

Current	17mA
Voltage supply	12V DC
Certificates	IP67
Operating temperature	-40°C to +85°C

1.3. Connection Specifications

Cable 1 (DAB output):

Connector type: SMB female
 Cable: RG174
 Cable length: 30 cm

Cable 2 (FM output):

Connector type: DIN male
 Cable: RG174
 Cable length: 30 cm

Cable 3 (RF input):

Connector type: DIN female
 Cable: RG174
 Cable length: 30 cm

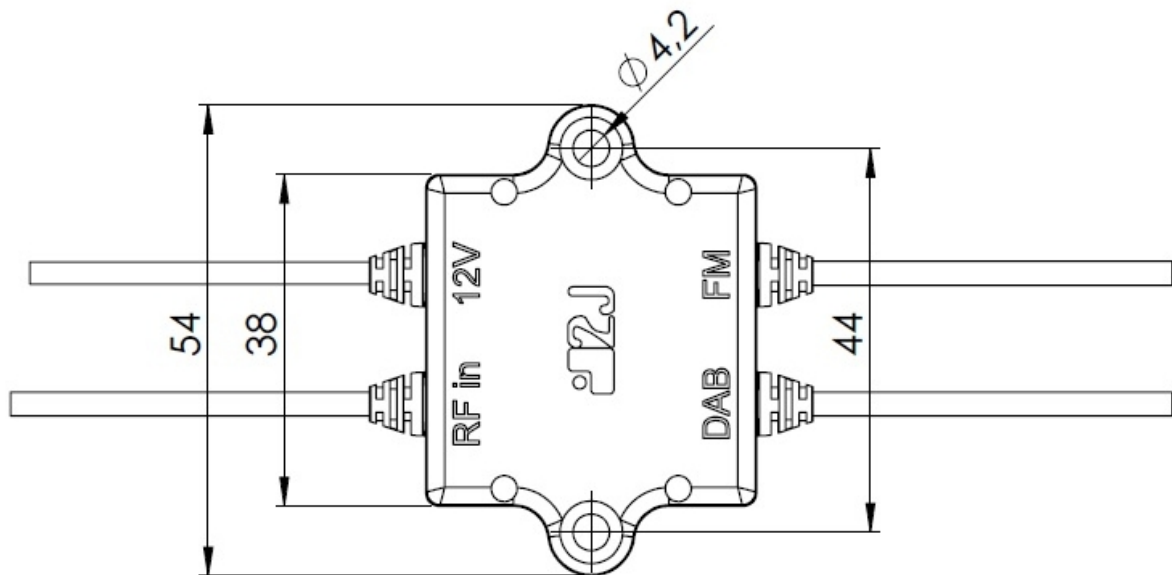
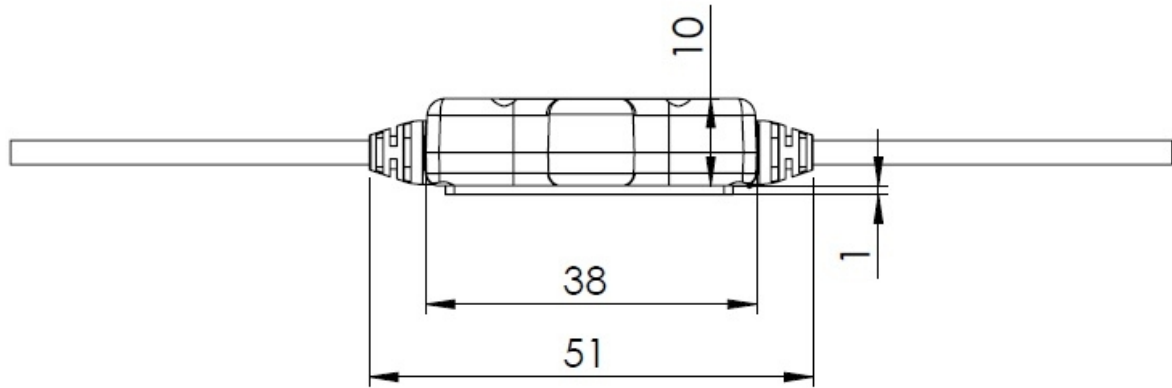
Cable 4 (Power supply):

Connector type: None
 Cable: Red Wire AWG20
 Cable length: 30 cm

For different cable length and connector type ask our sales team.

1.4. Mechanical Specifications and Dimensions

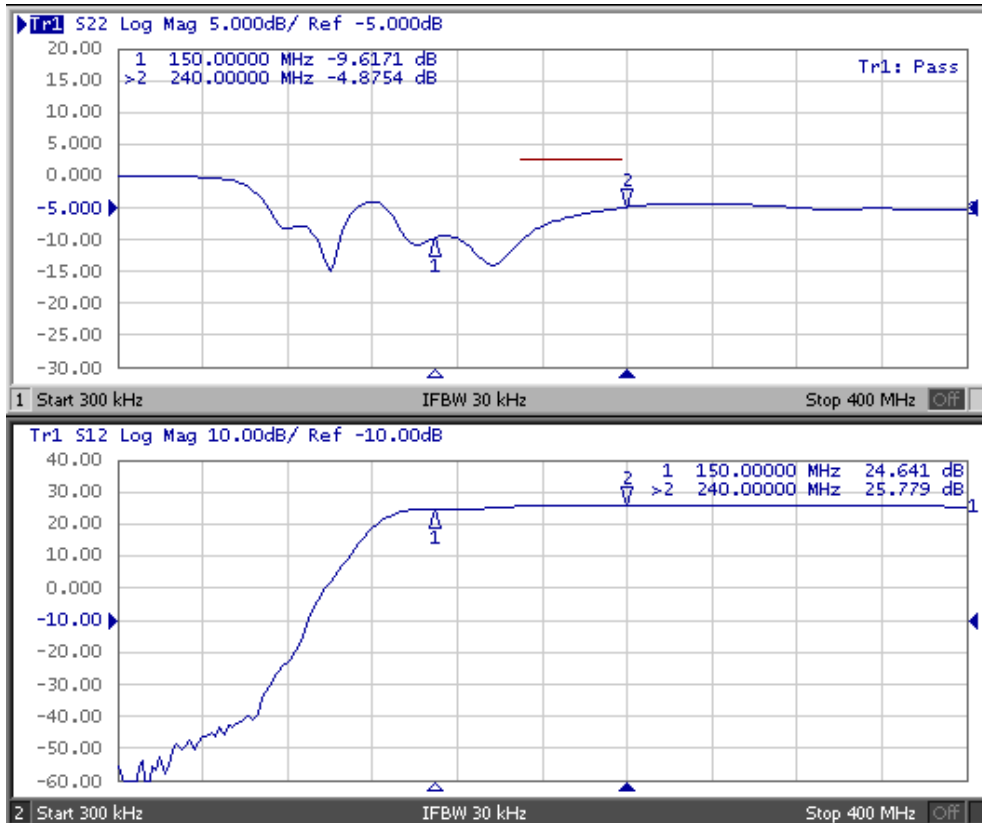
Material:	Housing: PVC
Weight:	50 g (with 30cm cables)
Dimensions:	54mm x 51mm x 11mm (W x L x H)



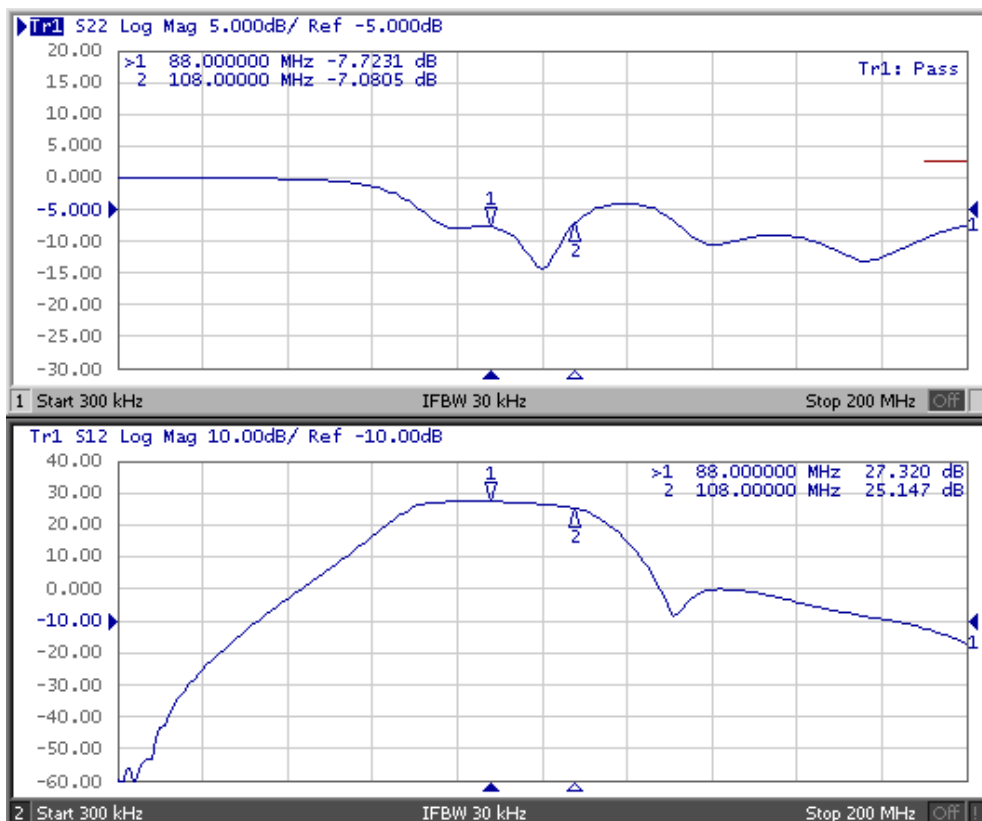
2. MEASUREMENT

- Measured with 30cm cable RG174

DAB



FM





3. IMAGES

