

# 2J9101JBWGF-B12JW-B10BW

## (Datasheet)

<b>Type</b>	Marine Antenna
<b>Frequencies</b>	GPS (1575.42 MHz) GLONASS (1592 - 1610 MHz)
<b>Mounting</b>	Screw Mount
<b>Revision</b>	00



*Tipul*  
P. Tipul



## 1. SPECIFICATION

### 1.1. *Electrical Specifications*

Frequencies	GPS/GLONASS (1572 – 1610 MHz)
Impedance	50 Ohms
Polarization	RHCP
LNA Gain	23dB at 3V and 24dB at 5V
VSWR	<1.2:1
Voltage supply	2,7V - 5,5V
Current	15 mA to 25 mA
Power (max.)	138mW
Operating temperature	-40°C to +85°C
Note	Antenna is filtered

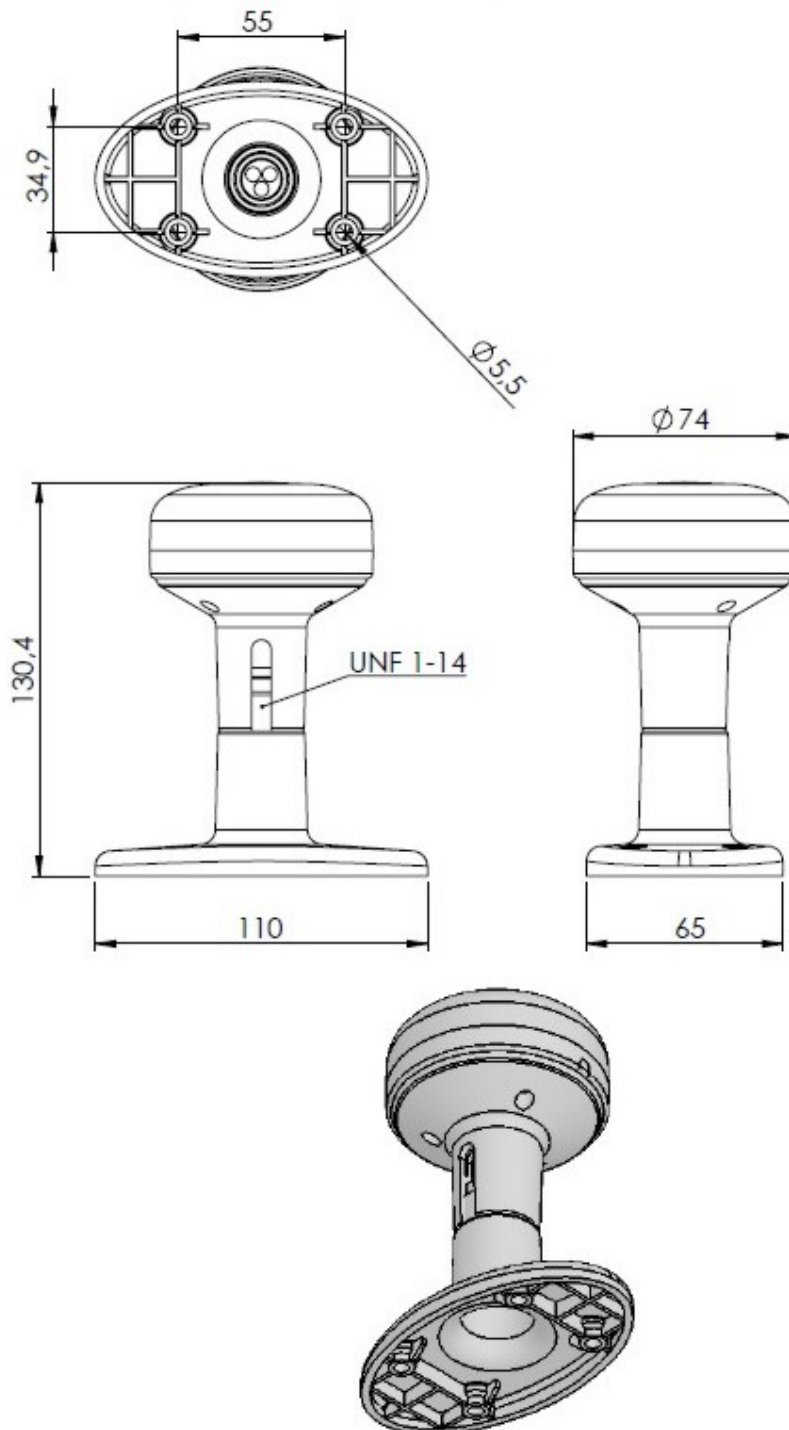
### 1.2. *Connection Specifications*

Connector type: SMA male  
Cable type: RG58W (White)  
Cable length: 30cm

- For different cable length or connector type please ask our sales team

### 1.3. Mechanical Specifications and Dimensions

Material:	ABS
Max. dimensions:	130.4mm x 110mm x 74mm (H x L x W)
Weight:	165 g 'counted with default connection'
Colour:	White (for different colours please ask our sales team)

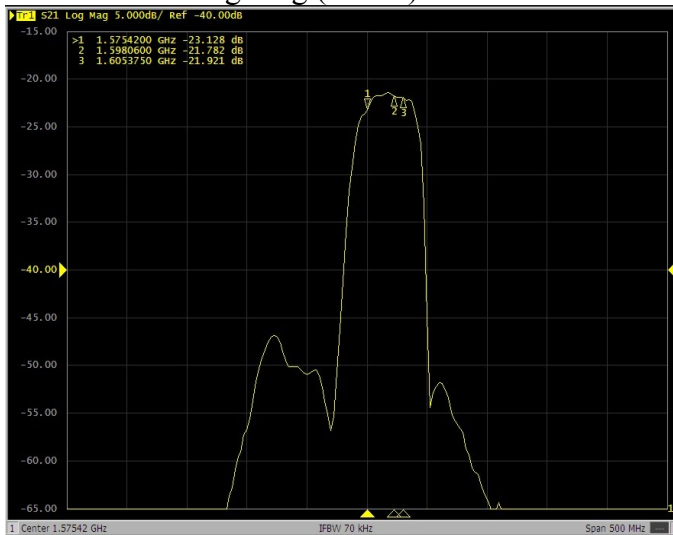


## 2. MEASUREMENT

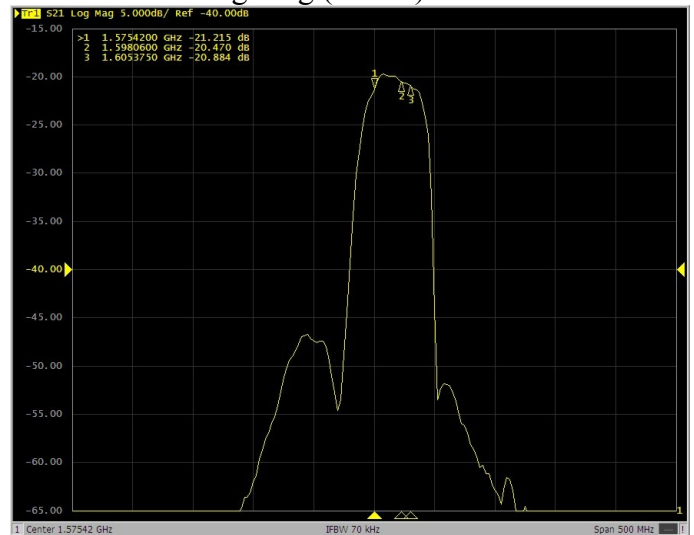
- Antenna was tested with 30cm of RG58 in anechoic chamber

### 2.1. Antenna gain (S21)

Log Mag (GNSS) at 3V

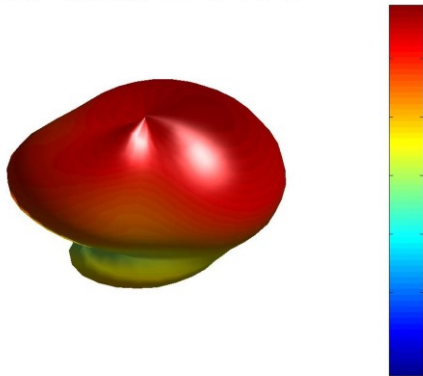


Log Mag (GNSS) at 5V



### 2.2. 3D radiation pattern

Freq = 1.5754GHz Az= 45 EL= 45



Freq = 1.5979GHz Az= 45 EL= 45

