

2J9001JBWGF-C392N-B10BW

(Datasheet)

Type	Marine Antenna
Frequencies	GPS (1575.42 MHz) GLONASS (1592 - 1610 MHz)
Mounting	Screw Mount
Revision	00


P. Tipul





1. PRODUCT SELECTOR

2J9001JBWGF-C392N-B10BW version with bracket and TNC connector on bottom side

2. SPECIFICATION

2.1. *Electrical Specifications*

Frequencies	GPS/GLONASS (1572 – 1610 MHz)
Impedance	50 Ohms
Polarization	RHCP
LNA Gain	23dB at 3V and 24dB at 5V
VSWR	<1.2:1
Voltage supply	2,7V - 5,5V
Current	15 mA to 25 mA
Power (max.)	138mW
Operating temperature	-40°C to +85°C
IP certification	IP67
Note	Antenna is filtered

2.2. *Connection Specifications*

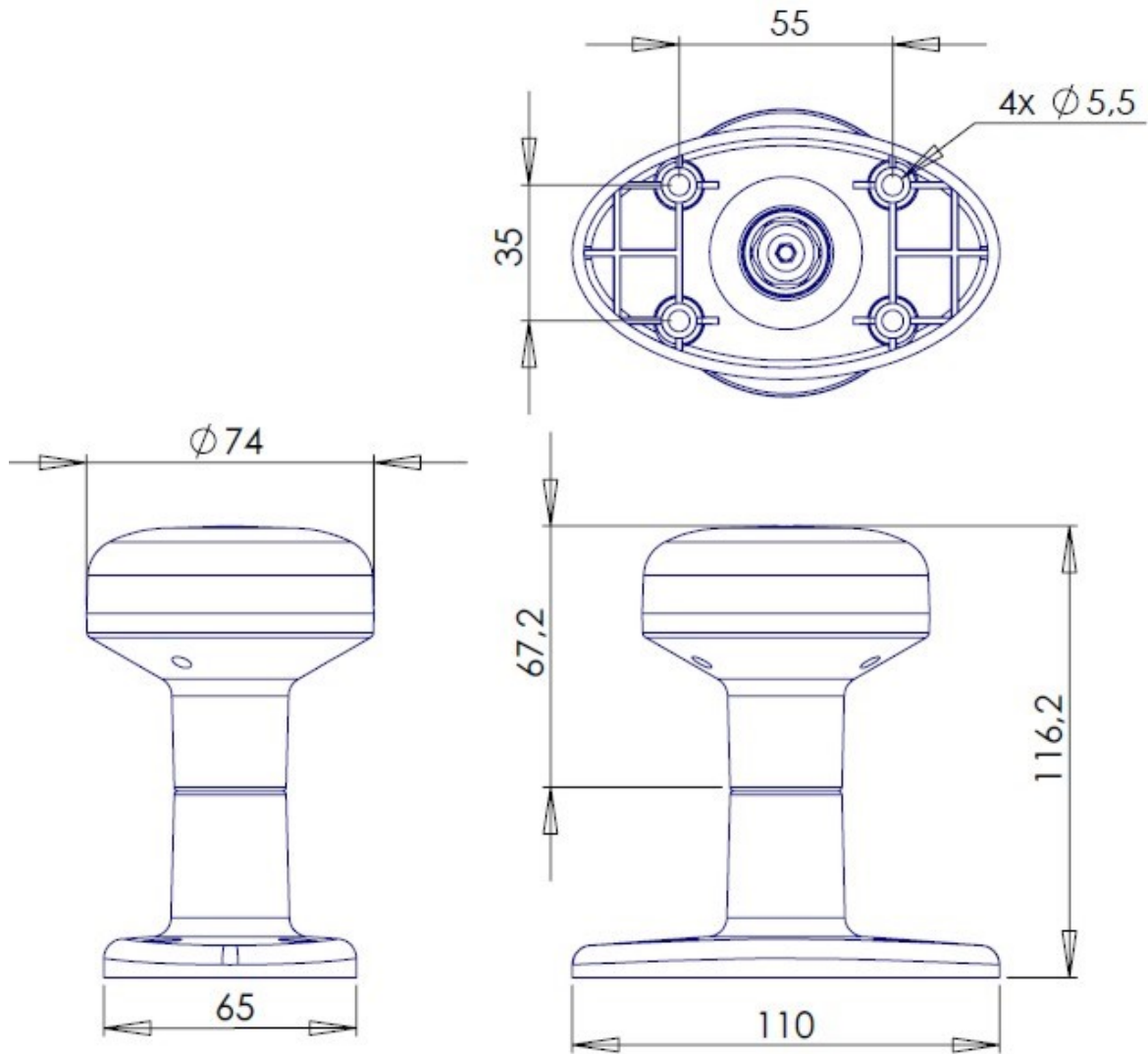
Connector type: TNC female (placed in middle part)

- Antenna can be sold with extension cable (TNC male to any connectors suitable for RG58)

2.3. *Mechanical Specifications and Dimensions*

2.3.1. 2J9101JBWGF-B11JW-B10BW-C392N

Material: ASA
Max. dimensions: 116mm x 110mm x 74mm (H x L x W)
Weight: 130 g ‘counted with default connection’
Colour: White (for different colours please ask our sales team)

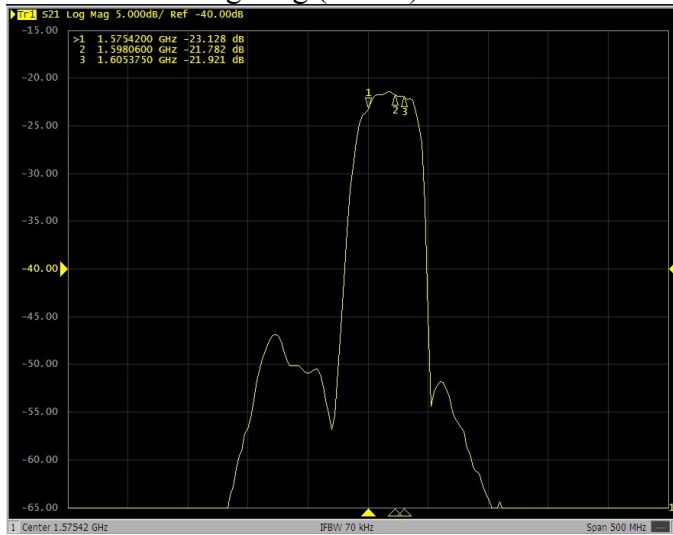


3. MEASUREMENT

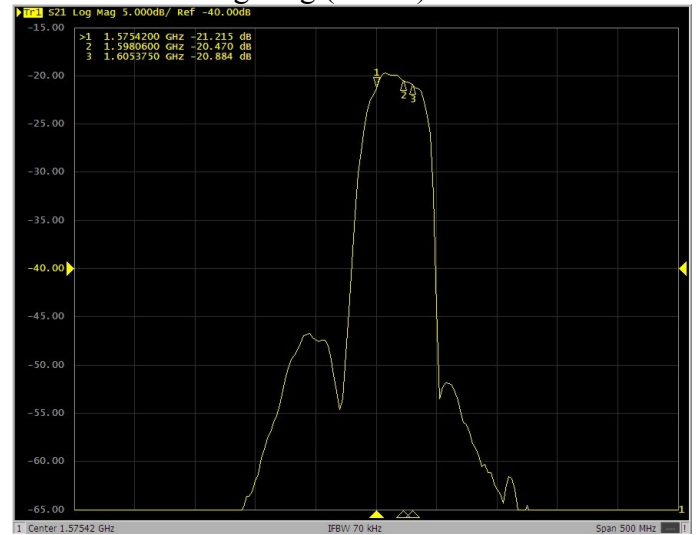
- Antenna was tested with 30cm of RG58 in anechoic chamber

3.1. Antenna gain (S21)

Log Mag (GNSS) at 3V

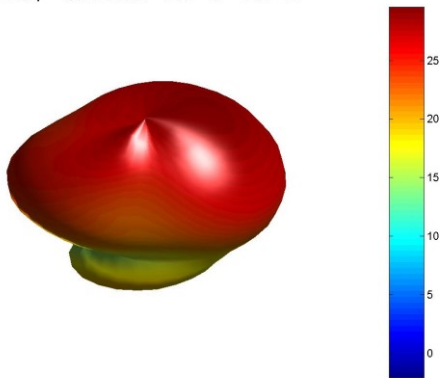


Log Mag (GNSS) at 5V

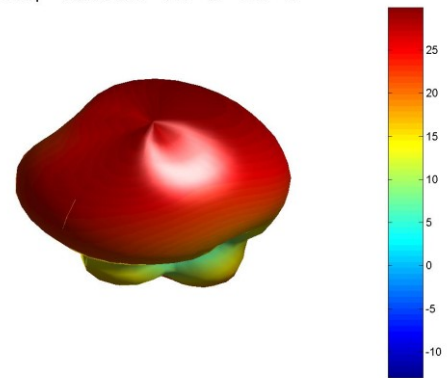


3.2. 3D radiation pattern

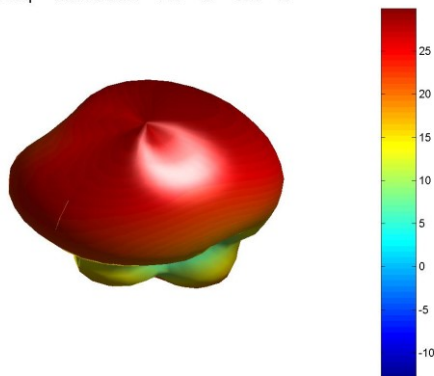
Freq = 1.5754GHz Az= 45 EL= 45



Freq = 1.5979GHz Az= 45 EL= 45



Freq = 1.5979GHz Az= 45 EL= 45



4. IMAGES

