

2J7213B 2J7213M (DATASHEET)

| | |
|--------------------|--|
| Type | DVB-T antenna |
| Frequencies | DAB (150 - 240 MHz) DVB-T (440 - 870 MHz) |
| Mounting | B - Body Mount M - Magnetic Mount |
| Revision | 00 |



Tipul
P. Tipul



1. PRODUCT SELECTOR

2J7213B Body mount
2J7213M Magnetic mount

2. SPECIFICATION

2.1. *Electrical Specifications*

| | |
|-----------------------|--|
| Frequencies | DAB (150 - 240 MHz) DVB-T (440 - 870 MHz) |
| Impedance | 50 Ohms |
| Polarization | Vertical |
| LNA Gain | 23dB |
| VSWR | <3:1 |
| Power handling | 50W |
| Voltage supply | 3.3V -16V |
| Current | 13 mA |
| Power (max.) | 390mW |
| Operating temperature | -40°C to +85°C |
| Certificates | IP67 |

2.2. *Connection Specifications*

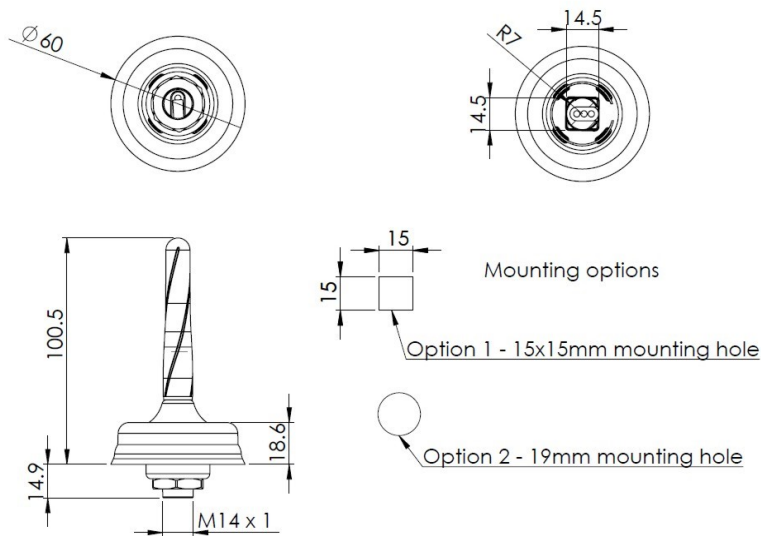
Connector type: SMA male
Cable: RG174LL (low loss)
Cable length: 250 cm

For different cable length and connector type ask our sales team.

2.3. Mechanical Specifications and Dimensions

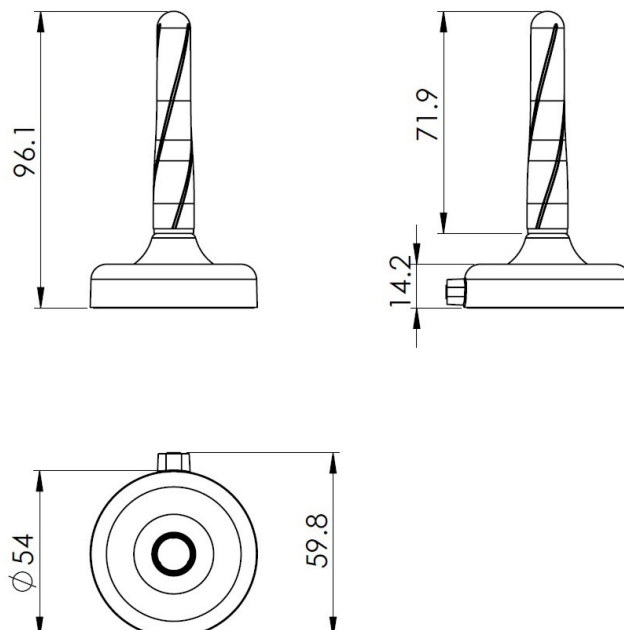
2.3.1. Body mount

| | |
|------------------|---|
| Material: | Lid: ABS / Base: Zamak / Gasket: TPE |
| Max. dimensions: | 60mm x 115.4mm |
| Weight: | 74 g 'weight counted with 30cm cable' |
| Colour: | Black (for different colours please ask our sales team) |



1.1.1. Magnetic mount

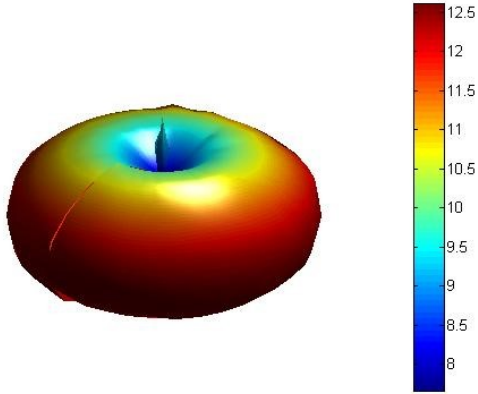
| | |
|------------------|---|
| Material: | Lid: ABS / Base: Zamak |
| Max. dimensions: | 59.8mm x 96.1mm |
| Weight: | 74 g 'weight counted with 30cm cable' |
| Colour: | Black (for different colours please ask our sales team) |



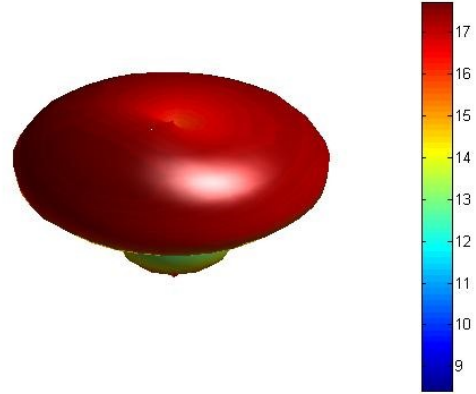
2. MEASUREMENT

Legend bar showing antenna gain

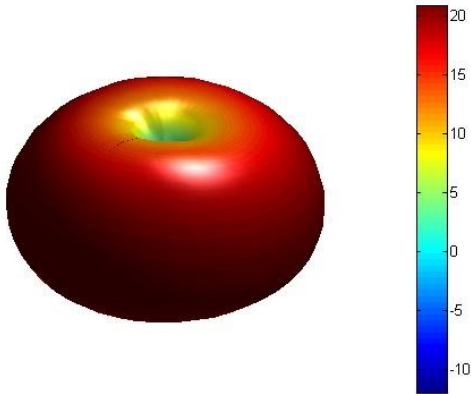
176MHz
Freq = 0.1765GHz Az= 45 EL= 45



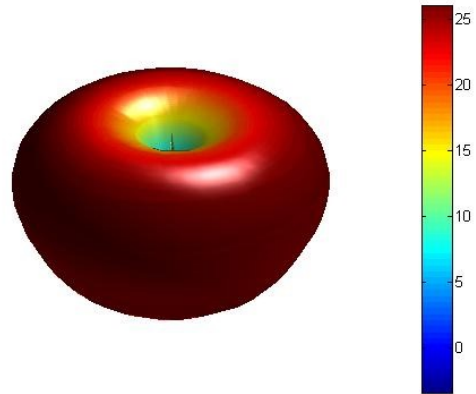
240MHz
Freq = 0.2395GHz Az= 45 EL= 45



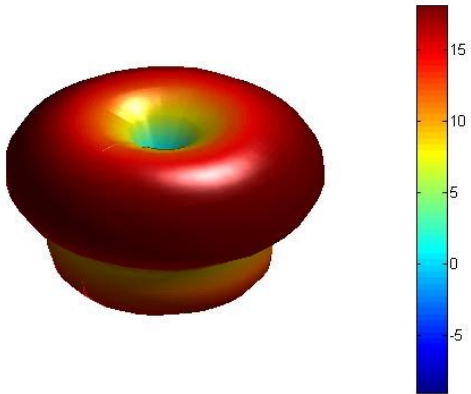
470MHz
Freq = 0.469GHz Az= 45 EL= 45



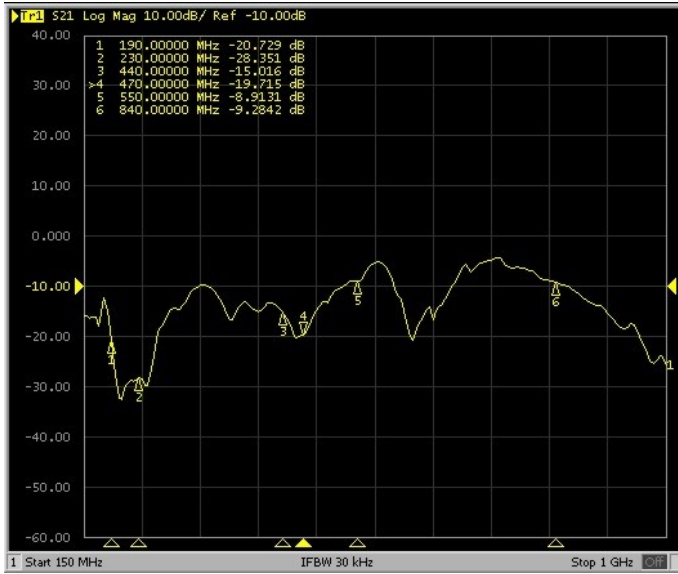
694MHz
Freq = 0.6940GHz Az= 45 EL= 45



862MHz
Freq = 0.8605GHz Az= 45 EL= 45

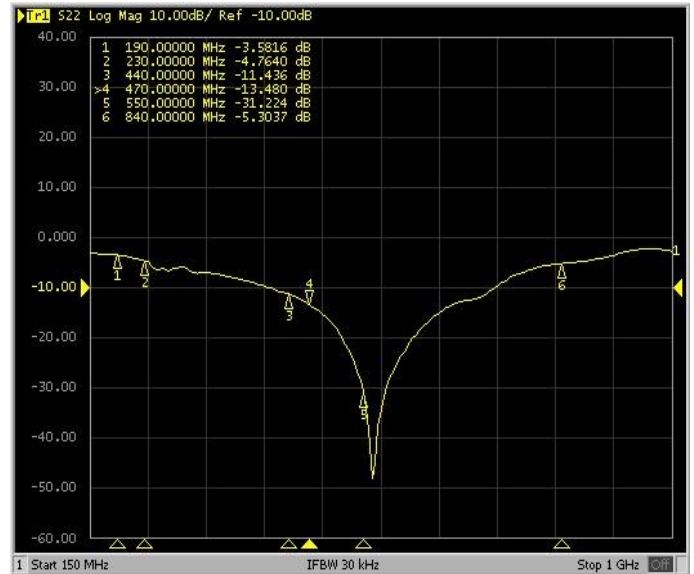


S21



Tested with 30cm cable length. -10dB is equal approximately 22dB.

S22



Tested with 30cm cable length.