

2J6507BF

2J6507BGF

2J6507MF

2J6507MGF

(Datasheet)

Type	Combined antenna
Frequencies	TETRA (380 - 500 MHz) GPS (1575.42 MHz) GLONASS (1592 - 1610 MHz)
Mounting	B - Body Mount M - Magnetic Mount
Revision	00



Tipul
P. Tipul



1. PRODUCT SELECTOR

- 2J6507BF** - GPS L1 filtered body mount version
- 2J6507MF** - GPS L1 filtered magnetic mount version
- 2J6507BGF** - GPS-GLONASS filtered body mount version
- 2J6507MGF** - GPS-GLONASS filtered magnetic mount version

2. SPECIFICATION

2.1. Electrical Specifications

Navigation (Cable 1)

	2J6507BF 2J6507MF	2J6507BGF 2J6507MGF
Frequencies	GPS (1575.42 MHz)	GPS (1575.42 MHz) GLONASS (1592 - 1610 MHz)
Impedance	50 Ohms	
Noise figure	1.15dB	
Polarization	RHCP	
LNA Gain*	26dB at 3V, 27dB at 5V	
Voltage supply	2.7V - 5.5V	
Current	15mA - 25mA	
Power (max.)	138mW	
Operating temperature	-40°C to +85°C	
Note	Filtered antenna	

* Values are just for LNA without filter. With filter, output gain is 23dB at 3V and 24dB at 5V

Tetra (Cable 2)

Frequencies	TETRA (380 - 500 MHz)*
Impedance	50 Ohms
Bandwidth	15 MHz +/- 5 MHz
Polarization	Linear
Gain	6dBi
VSWR	<2:1
Power handling	50W
Operating temperature	-40°C to +85°C

* Center frequency can be tuned between 380-500 MHz

2.2. Connection Specifications

Cable 1 (Navigation):

- Connector type: SMA male
- Cable: RG174U
- Cable length: 15 cm

Cable 2 (Tetra):

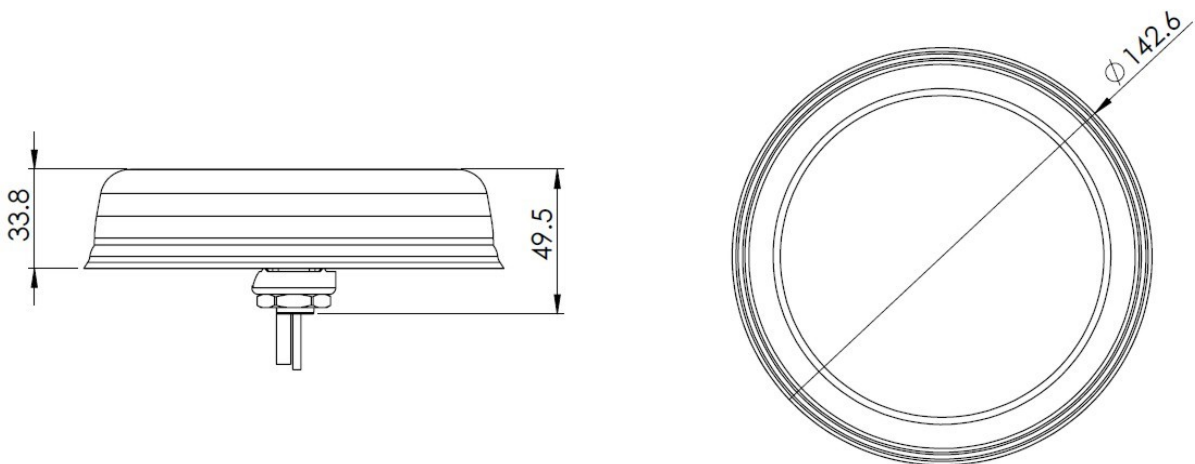
- Connector type: FME female
- Cable: RG58
- Cable length: 15 cm

For different cable length and connector type ask our sales team.

2.3. Mechanical Specifications and Dimensions

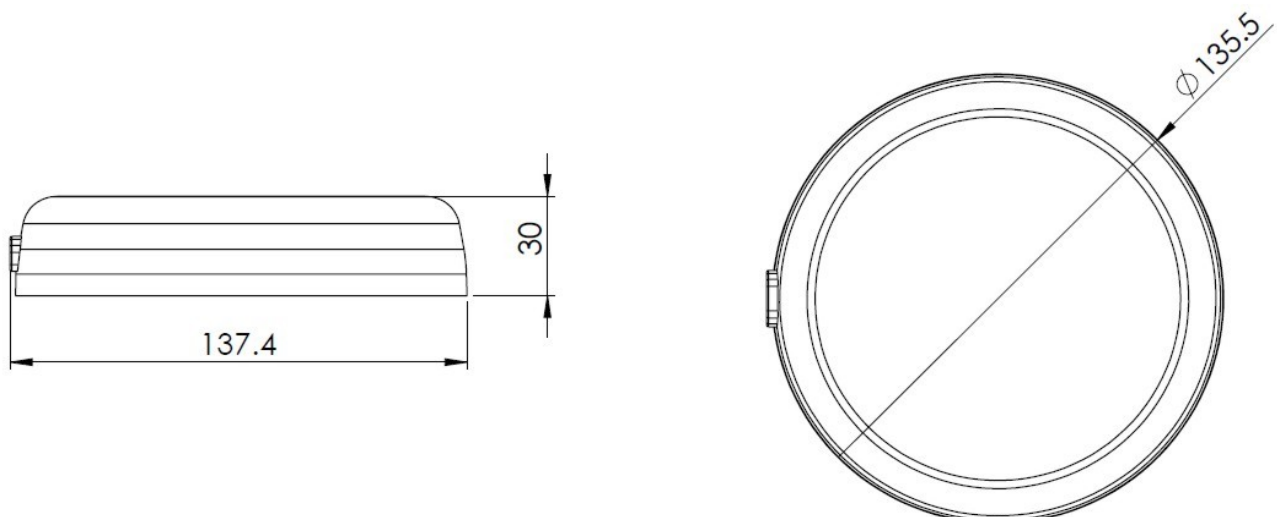
2.3.1. Body mount (2J6507BF/2J6507BGF)

Material:	Lid: ABS / Base: Zamak / Gasket: TPE
Max. dimensions:	142.6mm x 49.5mm
Weight:	480 g 'weight counted with connection above'
Colour:	Black/ Green/ White (for different colours please ask our sales team)



1.1.1. Magnetic mount (2J6507MF/2J6507MGF)

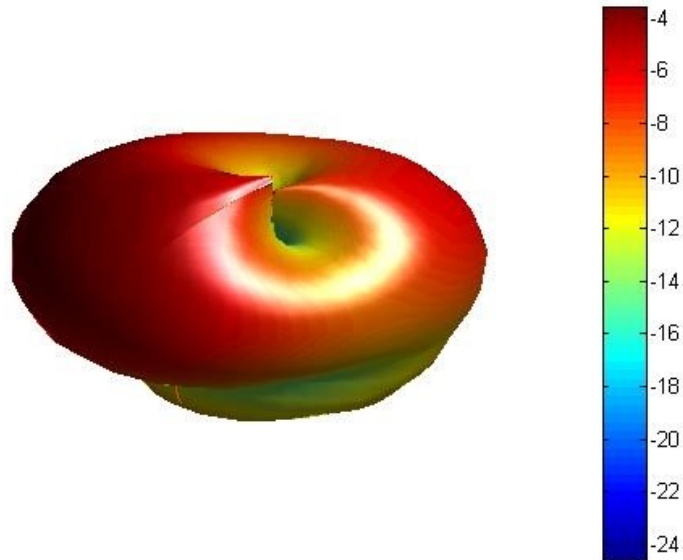
Material:	Lid: ABS / Base: Zamak
Max. dimensions:	137.4 mm x 30 mm
Colour:	Black/ Green/ White (for different colours please ask our sales team)



2. MEASUREMENT

- Tested on 22cm x 22cm ground plane with 15cm cable length

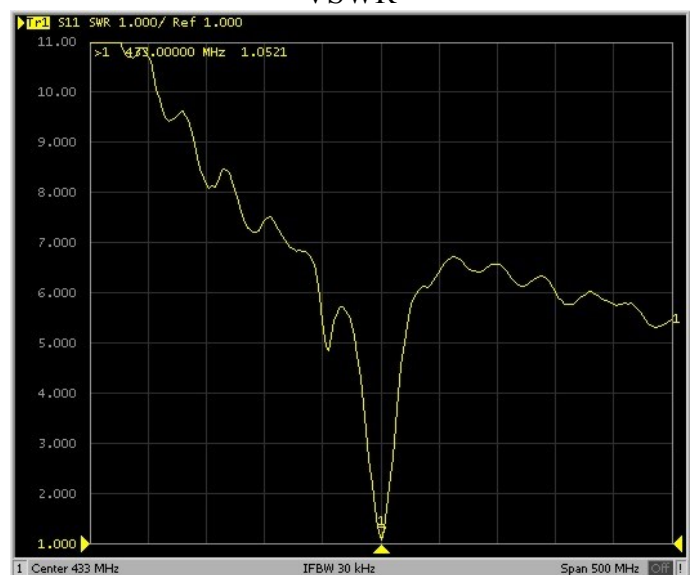
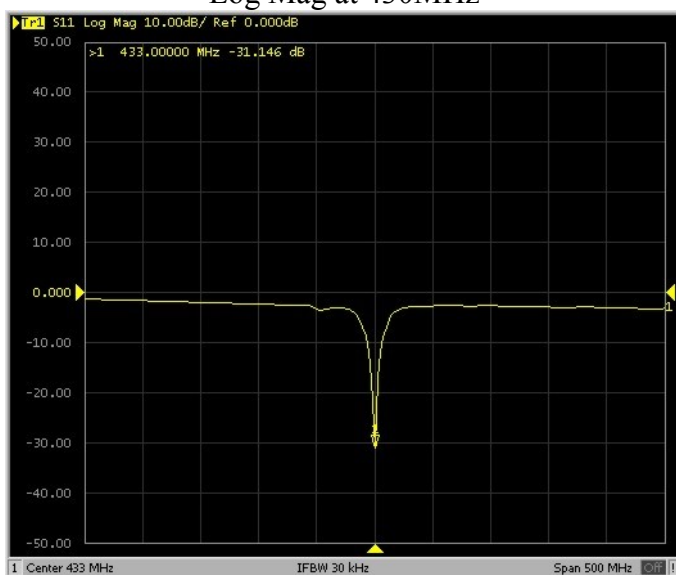
3D radiation pattern on Tetra
Freq = 0.4300GHz Az= 45 EL= 45



- Tested on 22cm x 22cm ground plane with 1m cable length

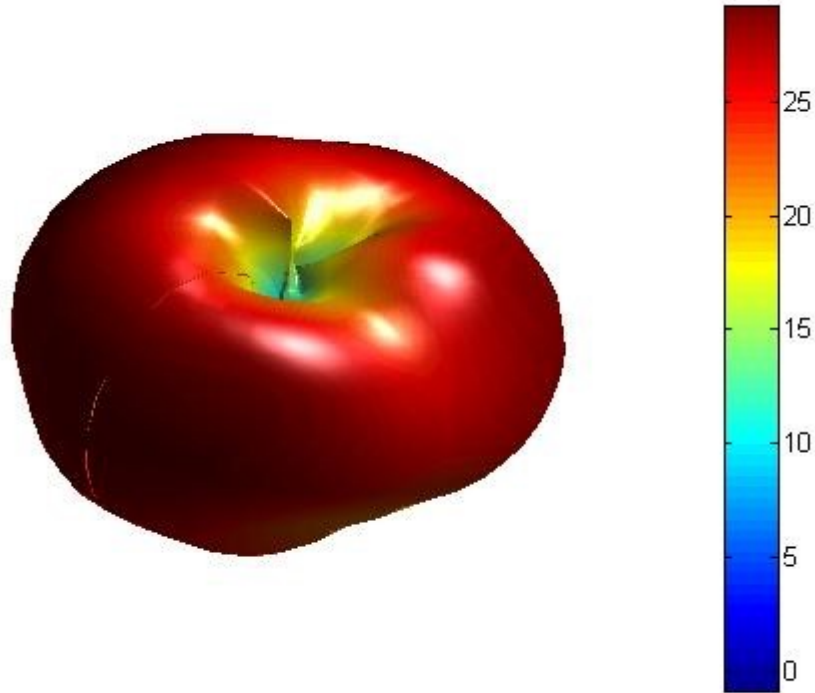
Log Mag at 430MHz

VSWR

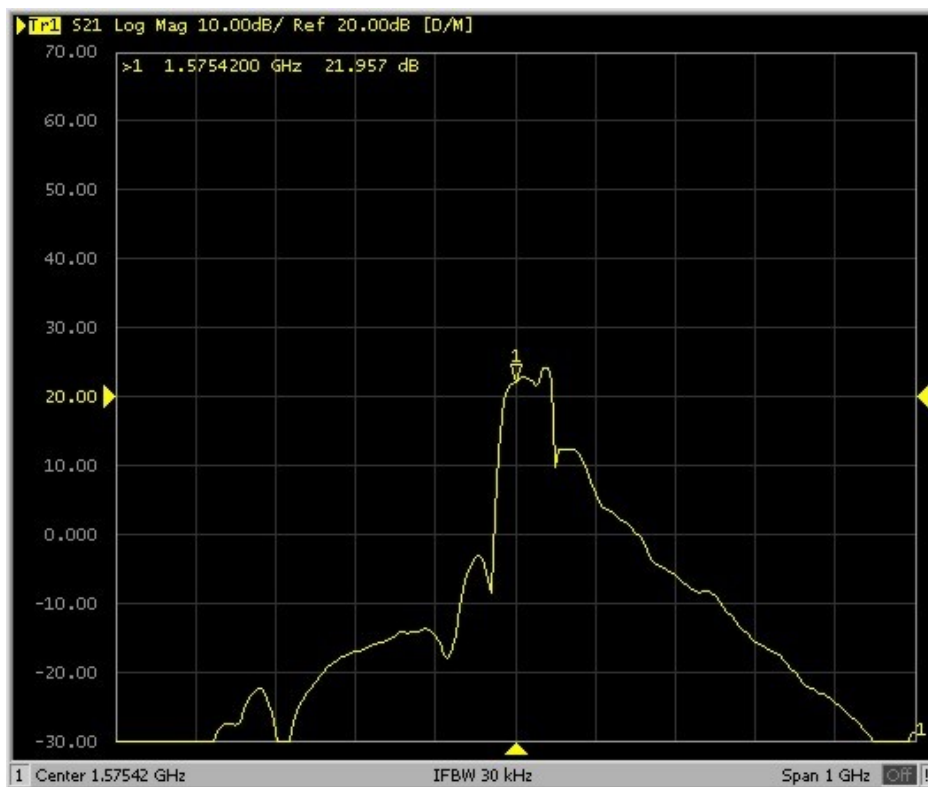


3D radiation pattern on GPS

Freq = 1.5754GHz Az= 45 EL= 45



GPS Gain at 3V



3. PICTURES

