

# 2J5415PCB (DATASHEET)

<b>Type</b>	ISM antenna for plastic cases
<b>Frequencies</b>	ISM (868 MHz) ISM (915 MHz)
<b>Mounting</b>	Patch Mount
<b>Revision</b>	00



P. Tipul



D. Noble

# 1. SPECIFICATION

## 1.1. Electrical Specifications

Frequencies	ISM (868 MHz) ISM (915 MHz)
Impedance	50 Ohms
Polarization	Horizontal
Gain	2 dBi max.
VSWR*	<2.5:1
Power handling	5W
Operating temperature	-40°C to +85°C
Note	For mounting on plastic cases

\*Stated when placed on plastic board and connected with 30cm Microcoax 1.13

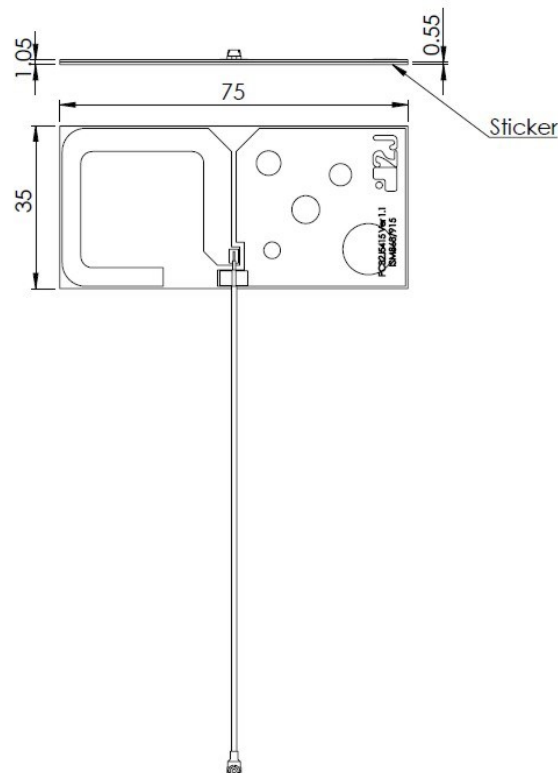
## 1.2. Connection Specifications

Connector type: U.FL  
 Cable: Microcoax 1,13mm  
 Cable length: 15 cm

For different cable length and connector type ask our sales team.

## 1.3. Mechanical Specifications and Dimensions

Material: FR4  
 Max. dimensions: 1,05mm x 75mm x 35mm  
 Weight: 5 g 'weight counted with cable above'



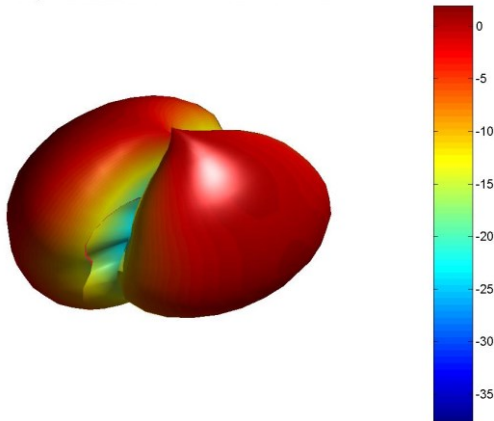
## 2. MEASUREMENT

### 2.1. Set Up

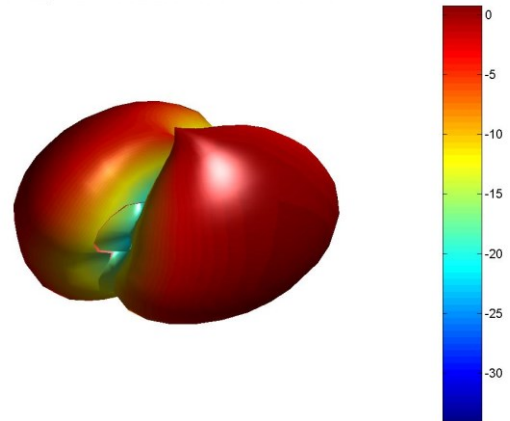
- Tested on plastic board.
- Used 30cm Microcoax 1,13 with U.FL.

### 2.2. Charts

868MHz  
Freq = 0.8680GHz Az= 45 EL= 45



915MHz  
Freq = 0.9155GHz Az= 45 EL= 45



Log Mag

VSWR

