



2J1002

(DATSHEET)

Type	Wifi antenna
Frequencies	WIFI / BLUETOOTH (2.4 GHz)
Mounting	Body Mount
Revision	00



1. SPECIFICATION

1.1. Electrical Specifications

Frequencies	WIFI / BLUETOOTH (2.4 GHz)
Impedance	50 Ohms
Polarization	Vertical
Gain	2.2 dBi Max
Power handling	25W
Operating temperature	-40°C to +85°C

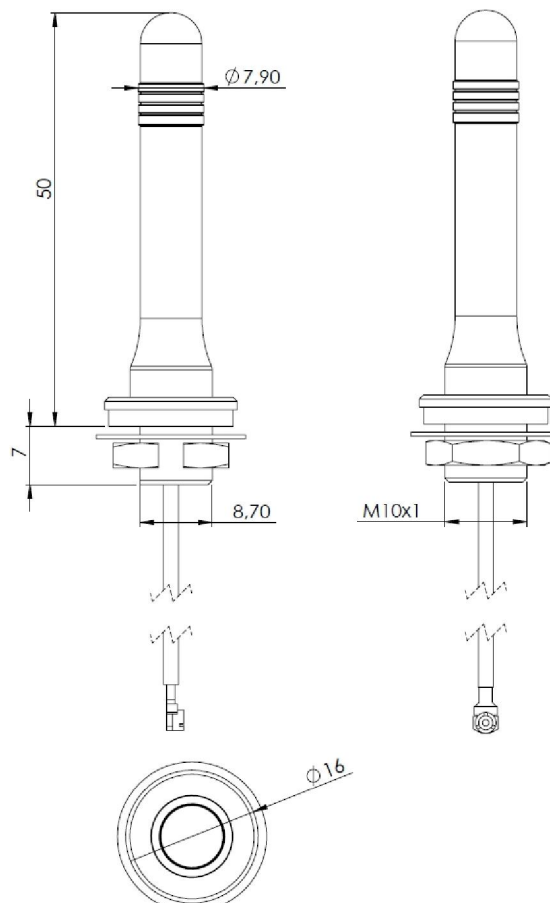
1.2. Connection Specifications

Connector type: U.FI
 Cable: RG178
 Min. cable length: 30 cm

For different cable length and connector type ask our sales team.

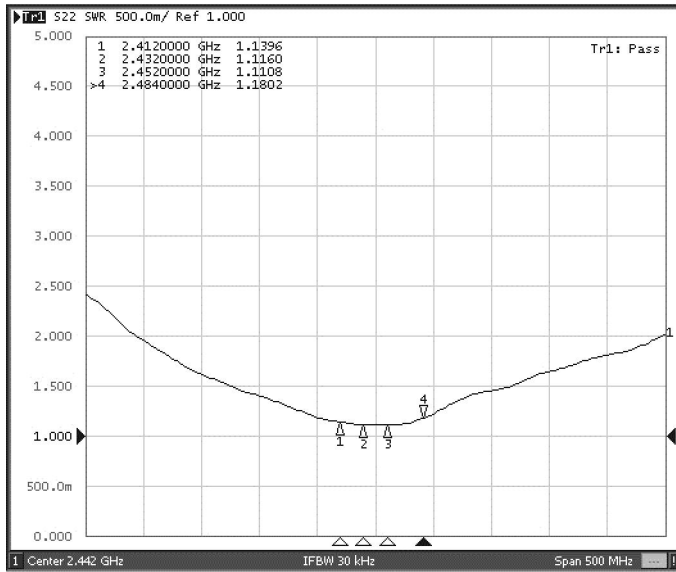
1.3. Mechanical Specifications and Dimensions

Material: Lid: ABS / Base: Brass
 Max. dimensions: 16mm x 50mm (D x H)
 Weight: 21.2 g 'weight counted with connection above'
 Colour: Black (for different colours please ask our sales team)
 Cable retention force: > 90 N

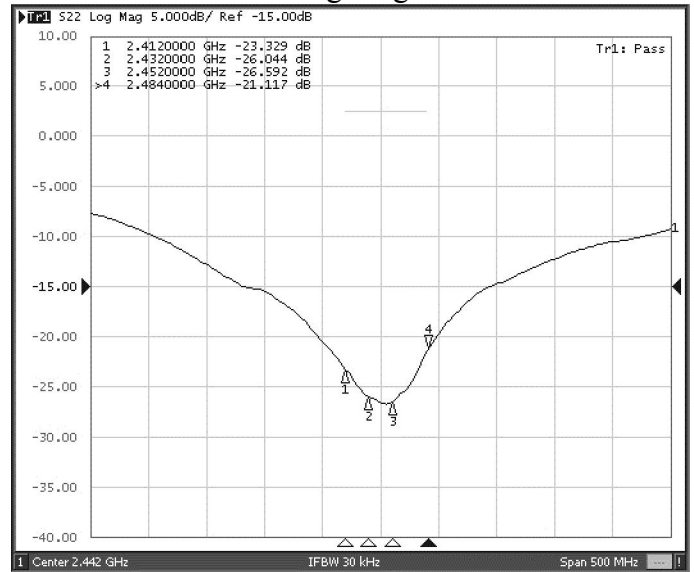


2. MEASUREMENT

VSWR



Log Mag



3. PICTURES

