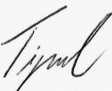
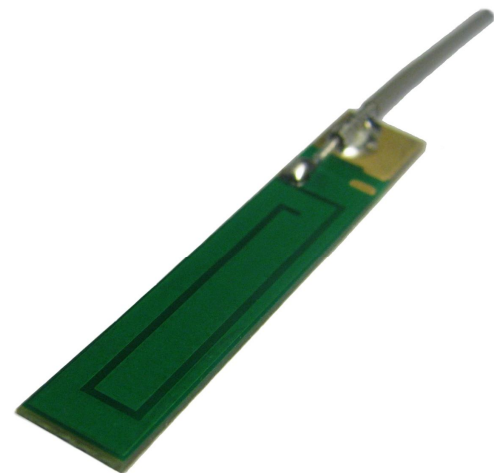




# 2J0X5 (DATASHEET)

<b>Type</b>	Dual-band antenna
<b>Frequencies</b>	GSM (900 MHz) DCS (1800 MHz)
<b>Mounting</b>	Embedded
<b>Revision</b>	01



P. Tipul



D. Noble

## 1. SPECIFICATION

### 1.1. Electrical Specifications

Frequencies	GSM (900 MHz) DCS (1800 MHz)
Impedance	50 Ohms
Polarization	Linear
Gain	0 dBi
VSWR	<2:1
Power handling	25W
Operating temperature	-40°C to +85°C

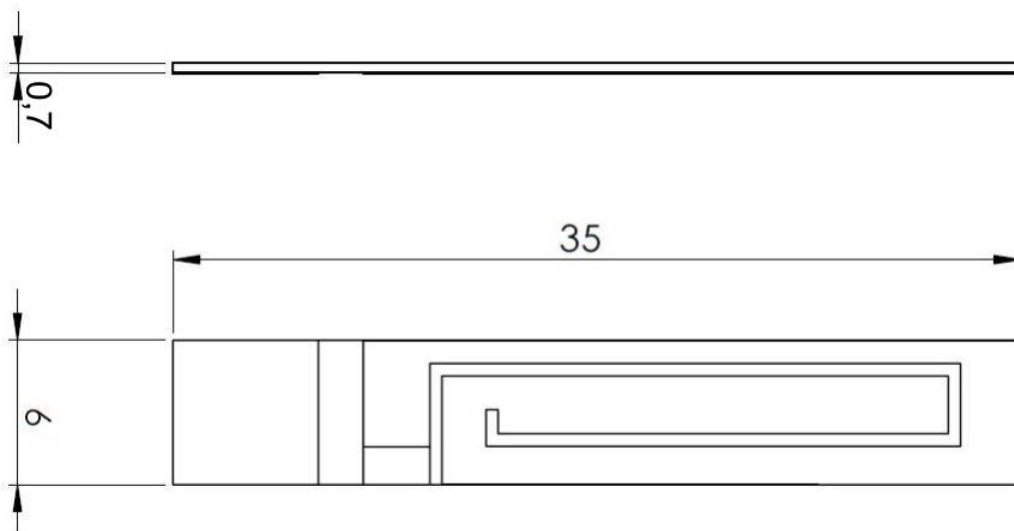
### 1.2. Connection Specifications

Connector type:	U.FL
Cable:	Microcoax 1,13mm
Cable length:	30 cm

For different cable length and connector type ask our sales team.

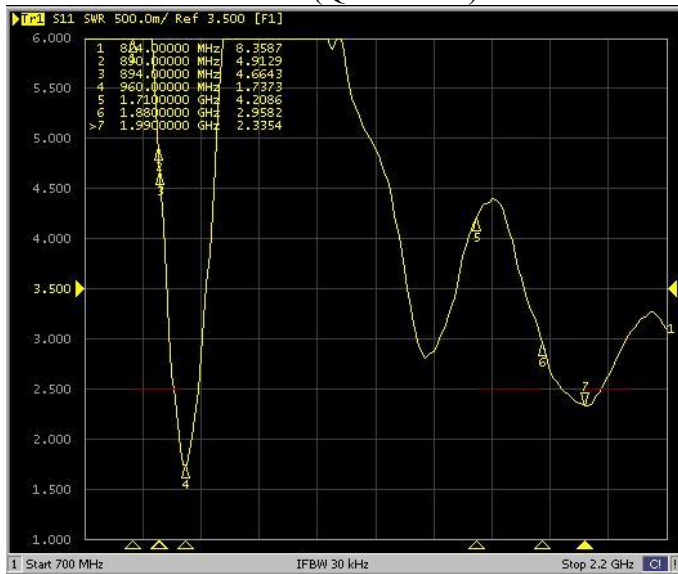
### 1.3. Mechanical Specifications and Dimensions

Material:	FR4
Max. dimensions:	35mm x 6mm x 0.7mm (L x W x T)
Colour:	Green mask



## 2. MEASUREMENT

VSWS (Quad Band)

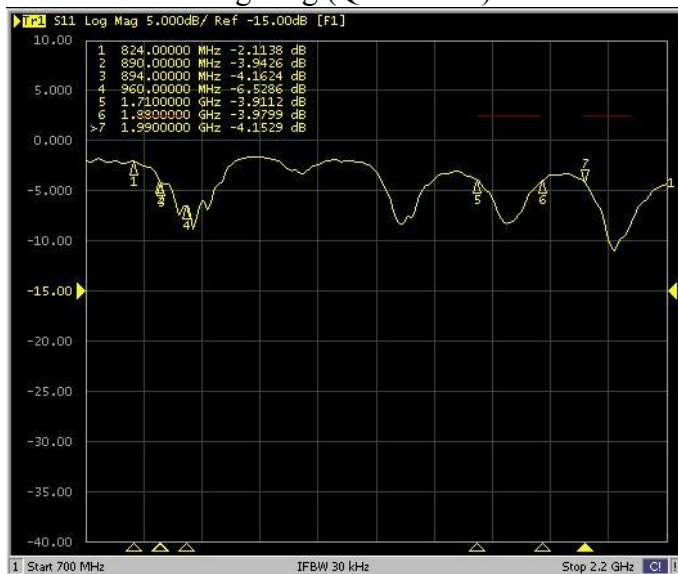


Log Mag (Quad Band)

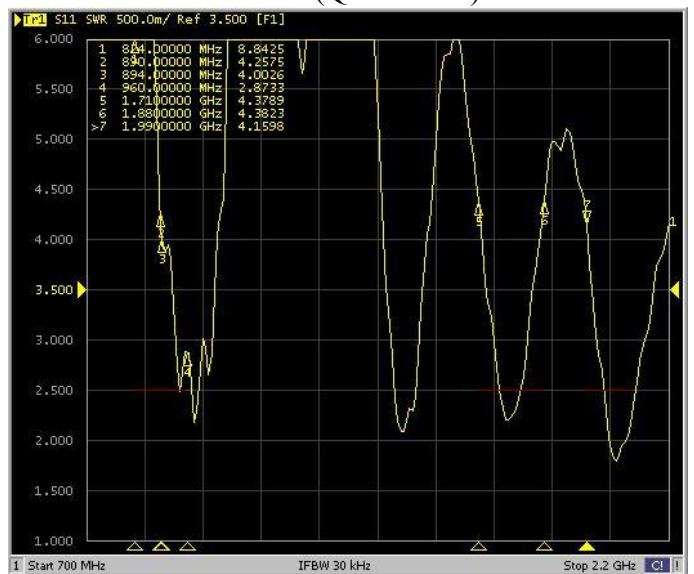


Tested with 30cm cable length - Microcoax 1,13 with U.FL

Log Mag (Quad Band)



VSWS (Quad Band)



Tested with 30cm cable length - RG174 with MMCX male

### 3. PICTURES

